



## HERCULES 6701 Surgical Table



*The New Standard in Full Body Imaging,  
Lift & Articulation Power*

# The New Standard in Full Body Imaging, Lift & Articulation Power

*The HERCULES 6701 surgical table represents the new standard in 21<sup>st</sup> Century Surgical Table design and performance, with unmatched imaging flexibility and even greater lift and articulation power. Features include 1,200 lb. lift and 1,000 lb. articulation capacity, removable back and leg sections (with optional carbon fiber back/leg section), 210° top rotation, 23" low table height, Auto Beach Chair position, 30° tilt, Trendelenburg, reverse and more!*



*(Shown with optional 40" Carbon Fiber Back/Leg Section)*

*From ease of set-up to the reduced need for multiple support accessories, the HERCULES 6701 is the most powerful, versatile and image-friendly surgical table available.*

\* C-Arm courtesy of Philips Medical Systems

# Optimal C-Arm Compatibility with Enhanced Low Height Range



**210° Top Rotation**

*Exclusive 210° top rotation provides uncommon C-Arm flexibility and eliminates any conflict between Surgeon and Anesthesiologist during head-end procedures, while also providing generous leg room for standing or seated surgeons. A low height range of 23" off the floor is standard.*



**35° Rotation for ENT (Low Table Height to 23")**



**Upper Body Imaging**



**Lower Body Imaging**



**Urology**

# Removable Back and Leg Sections Optimize Image Flexibility Options



*Benefits of Removable Back and Leg Sections include optimal anesthesia access for shorter patients in lithotomy position and enhanced leg room for seated surgeons. In addition, lower table heights can be more easily achieved by removing vs. lowering the leg section, thereby eliminating any articulation conflicts with the floor. Removable Back & Leg Sections also permit use of the optional 40" fully carbon fiber back/leg section for obstruction free imaging for Upper and Lower Body procedures.*



**Removable Back Section**



**Removable Leg Section**



**40" Carbon Fiber Back/Leg Section**

# Speedy Set-Ups & Auto Beach Chair Function for Specialty Procedures



*Removal of Back Section provides speedy attachment of Power Shoulder Arthroscopy Positioner. Auto Beach Chair Function takes the work out of positioning patients for shoulder arthroscopy and other Upper Body Procedures.*



*Removable Leg Section permits surgeons more leg room, lower table height positioning for Urology, Cysto/GYN and other Lower Body Procedures. Optional 40" carbon fiber back/leg section provides obstruction free imaging for specialty procedures such as endovascular (attached to leg section) or lap-chole (attached to back section) and more!*

# Low Table Height Adjustment to 23” When and Where It Is Needed Most



***From General Purpose to Bariatric Surgery, the HERCULES 6701 Does it All!***

- 1,200 lb. Lift & 1,000 lb. Articulation Capacity
- 30° Patient Articulation including Tilt, Trendelenburg and Reverse Trendelenburg
- 23” Low Height Adjustment
- Full Body Imaging Coverage
- Automatic 4-Point, Self-leveling Brake Safety System
- *Full Line Bariatric Table Accessories*



***Tested to 4X the Weight Safety  
Factor of 4,800 lbs.!***

# Big Patient Needs, BIGGER Table Solutions

*When a wider table top is required, the HERCULES 6701 provides simple and speedy set-up with side extension accessories that can quickly widen the table top to 30".*



Table Side Extension 3-060-06  
2" 3-Piece Sof-Pad Set (Bariatric) 1-010-35-BS  
14" Bariatric Foot Extension 4-030-26  
90" Restraint Strap 6-010-41-V

*Table pads are available as shown above, or as solid 30" wide table pads. HERCULES 6701 is ready when you are, with unmatched Lifting Power, Ease of Patient Set-Up and Positioning Versatility for every procedure!*



***Standard Table Pads with Side Extensions widen Table Top to 30".***

Table Side Extension 3-060-06  
2" Sof-Pad for 5" Extension 3-060-05-2S



***Solid 30" Table Pads with Side Extensions are also available.***

Table Side Extension 3-060-06  
2" 3-Piece Sof-Pad Set (Bariatric) 1-010-35-BS





# Durable Back-lit, One Touch Pendant Control

*It's simply the easiest pendant control to use from any spot around the table, with convenient back-lighting for low light applications.*

- Simple One Touch Operation
- Back-Lit Control for High Visibility in Low Lighting
- Audible Alarm for Kidney Bridge / Back Up Articulation
- Anatomically Correct **Return-to-Level**
- Anatomically Correct **Beach Chair Position**
- Recessed Buttons Eliminate Accidental Activation
- Exceptionally Durable, Water Resistant
- Can be used in conjunction with *optional* Three Function Foot Control
- Pendant Rebuild Exchange Program



# Versatile Positioning Ranges, Automatic Beach Chair & Return-to-Level Functions



210° Top Rotation



Automatic Beach Chair Position

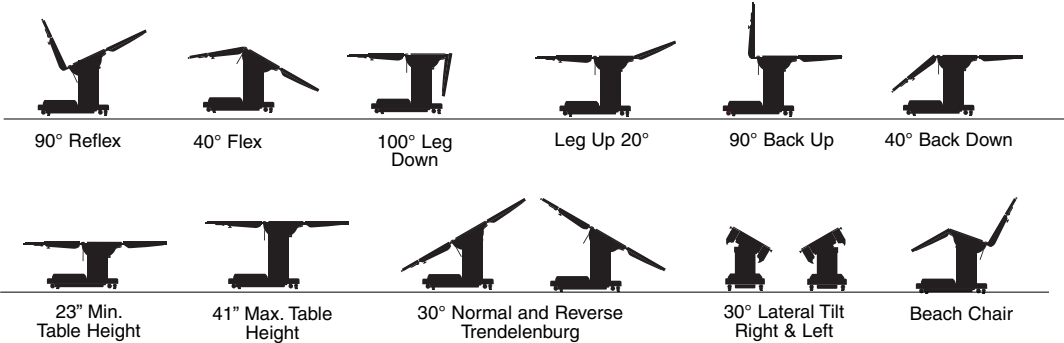


30" Table Top Expansion



23" Minimum Table Height

## Optimally Versatile Table Functions for Today's Most Demanding Procedures



# HERCULES 6701 General Purpose Positioning Guidelines



## Upper Body Imaging

40" Carbon Fiber Extension 4-030-40  
Pivoting Carbon Fiber Armboard 2-060-04  
10" Foot Extension 4-030-13



## Lower Body Imaging

40" Carbon Fiber Extension 4-030-40  
Raised Armboard 2-020-01-1



## Lap Nissen

5 Piece Split Leg 4-030-61  
Foot Rest, Split Leg 4-030-04  
Raised Armboard 2-020-01-1



## Urology

Levigator Stirrups 4-090-03-1  
Urology Bracket Set 4-040-16



**Ophthalmic/ENT**

Standard Armboard 2-010-02  
 10" Foot Extension 4-030-13  
 90" Restraint Strap 6-010-41-V



**Nephrectomy**

Standard Armboard 2-010-02  
 10" Foot Extension 4-030-13  
 90" Restraint Strap 6-010-41-V  
 Chest and Waist Support 3-010-01  
 Raised Armboard 2-020-01-1



**Neuro (neck)**

10" Foot Extension 4-030-13  
 Raised Armboard 2-020-01-1  
 90" Restraint Strap 6-010-41-V



**Neuro (lumbar)**

90" Restraint Strap 6-010-41-V  
 Multi-Task Armboard 2-020-02

# HERCULES 6701 General Purpose Positioning Guidelines



## Shoulder Arthroscopy

10" Foot Extension 4-030-13  
Beach Chair Shoulder Positioner 3-040-20



## Neuro (head)

10" Foot Extension 4-030-13  
90" Restraint Strap 6-010-41-V  
General Purpose Head Support 7-010-01



## Hip Revision

Raised Armboard 2-020-01-1



## Cardiovascular

10" Foot Extension 4-030-13  
90" Restraint Strap 6-010-41-V  
Standard Armboard 2-010-02  
Anesthesia Screen "L" type 6-020-04-1

# HERCULES 6701 Bariatric Recommended Positioning Guidelines



## Abdominal

90" Restraint Strap 6-010-41-V  
Standard Armboard 2-010-02  
Table Side Extension 3-060-04  
X-Ray top Set 5-010-21-B



## Gall Bladder

10" Foot Extension 4-030-13  
90" Restraint Strap 6-010-41-V



## Cysto/GYN

Heavy Duty Levitator Stirrups 4-090-03-1HD  
Standard Armboard 2-010-02  
Urology Bracket Set 4-040-16  
X-Ray top Set 5-010-21-B



## Cardiovascular

40" Carbon Fiber Extension 4-030-40  
Pivoting Carbon Fiber Armboard 2-060-04

# HERCULES 6701

## Surgical Table Specifications

### Technical Specifications:

Length w/o head rest	65.5 in.	1665mm
Length with head rest	79 in.	2010mm
Width	19.75 in.	500mm
Width with side rails	22 in.	560mm



### Adjustments via hand control:

Height	23-41 in.	584-1040mm
Lateral tilt (left/right)	30°	
Trendelenburg	30°	
Reverse Trendelenburg	30°	
Power Kidney Bridge	6 in.	150mm Lift
Back up/down	90°/40°	
Leg up/down	20°/100°	
Return to level (anatomically correct return to horizontal position from articulated positions)		
Top Rotation	210°	
Flex/Reflex	40°/90°	
Base braking (lock/unlock)		
Beach Chair		

Weight of operating table 900 lb. (410kg)

Max. permissible load 1200 lb. (545kg) Lift  
1000 lb. (455kg) Articulation

Full function, electrohydraulic battery powered surgical table features 210° top rotation, 1200 lb. (545kg) lift and 1000 lb. (455kg) articulation capacity. Table is equipped with a removable 15 ft. (457cm) power cord for battery charging. Four (4) conductive casters, four point braking system with push button operation including manual override for safety and stability. Hand held, back-lit pendant control includes steel housing design providing extreme durability. Pendant permits control at any point around table's perimeter.



5085 Corporate Exchange Blvd. SE, Grand Rapids, MI 49512  
1-800-SKYTRON (759-8766) Fax: 616-656-2906  
e-mail: sales@skytron.us

Local Representative