

AURORA FOUR SERIES SURGICAL LIGHTS

Skytron's Aurora Four surgical lighting system provides complete surgeon control of positioning, focus, and intensity from the sterilizable center handle. Energy efficient LEDs provide cool, color corrected light that is diffused evenly over the surgical site for optimum shadow reduction.

Accessories / Options

Wall Control provides controls for main power, intensity control from 0 to 100% in 5 steps for each lighthouse, color temperature selection of 4100°K or 4500°K, safety fuses and LED 40,000 hour change indicator. Required, priced separately.

Optional AUA5TV Camera Ready Lighthouse accepts a Precision HD camera in place of the sterilizable focus/positioning handle. A sterilizable camera cover allows the surgeon lighthouse positioning and focus control.

Precision HD Camera System provides dynamic, superb 1080i and 1080p digital quality video. The camera system consists of a Precision HD handle mounted camera, camera control unit (CCU), and video cabling. Camera system priced separately. Camera ready lighthouse (AUA5TV) required.

Sterile Handles and various adapters are available for sterilizable handles and sterile disposable covers.

Technical Data

Fixture Weight: 120 lbs (55 kg)
Moment Load: 425 ft lbs (576 N·m)
Minimum Ceiling Height: 8' 3-5/8" (2531mm)
Maximum Ceiling Height: 10' 4-1/16" (3151mm)
Electrical: 100-240VAC, 95-175VA, 50/60 Hz, 1 phase
Max Intensity at 1 meter (lux): @4100K = 160,000
@4500K = 140,500
CRI: @4100K = 95 @4500K = 96
Color Temperature: @4100K @4500K
Total Irradiance (watts/m²): @4100K = 532.3
@4500K = 475.9
R9: @4100K = 91 @4500K = 95



Model AUA5 Shown

Standards

ANSI/AAMI ES60601-1: 2005 / C1: 2009 / A2: 2010
CAN/CSA-C22.2 No. 60601.1: 2008 COR 2 2011
IEC 60601-2-41 (2nd Ed. 2009-08)
IEC 60601-1-6 (3rd Ed. 2010-01)
IEC 60601-1-2 (3rd Ed. 2007-03)
CE

Architectural Specification

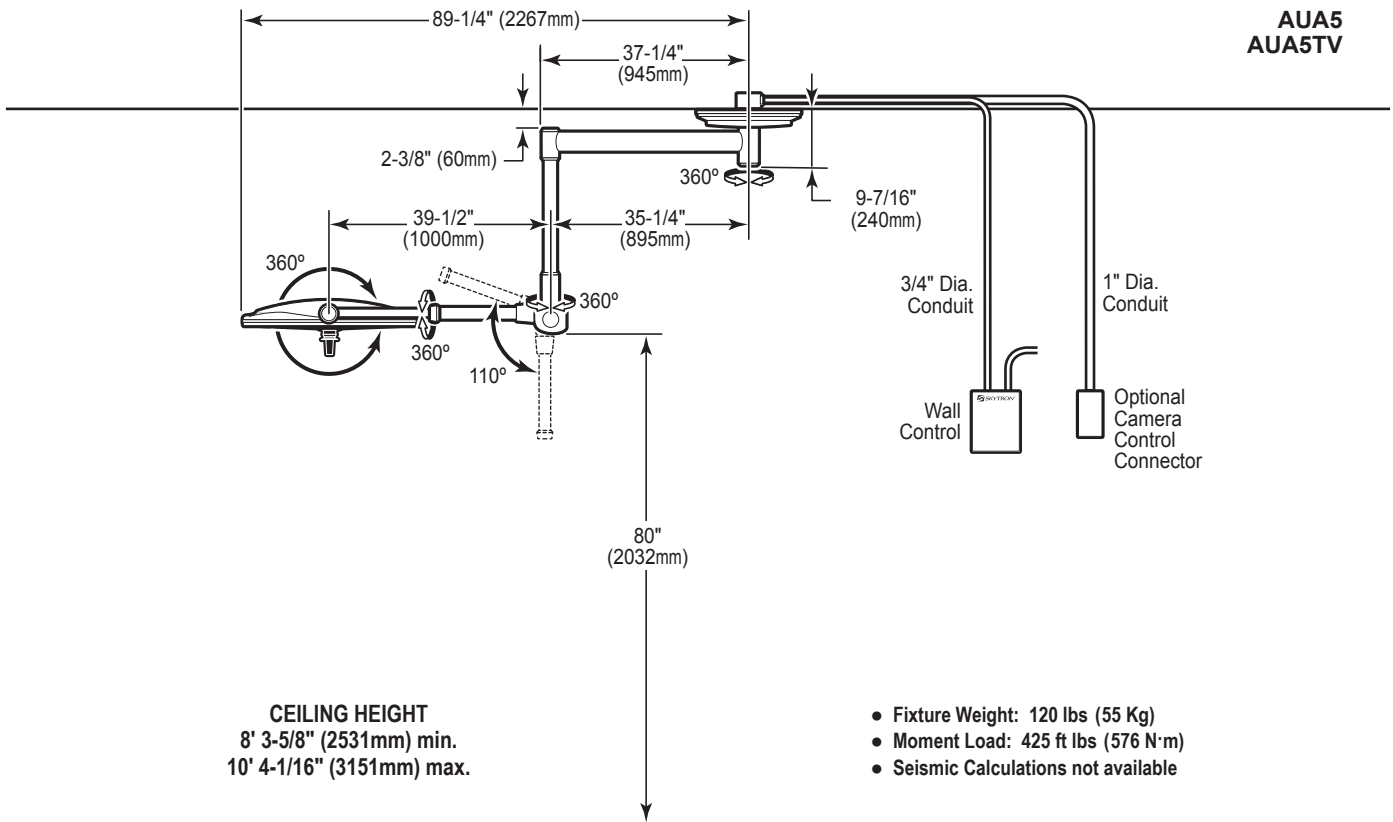
The Aurora Four surgical lighting system consists of a ceiling mounted single radial arm system with a 24" (610mm) diameter lighthouse. Continuous 360° rotation is provided at all fixture rotation points.

Standard lighthouse is equipped with a sterilizable center handle that allows surgeon control of lighthouse positioning, focus and intensity. A focus knob and positioning handles are provided on the side of the lighthouse for non-sterile control.

The 24" (610mm) lighthouse contains 5 focusable LED pods. Each focusable pod contains 7 individual LEDs with VSRD reflector technology. Lighthouse also contains 12 fixed focus center mounted LEDs. Total system output is 160,000 lux at a color temperature of 4,100K. LED life expectancy is 40,000 hours.

SKYTRON Aurora Four series, model AUA5 or AUA5TV.

Product Elevation View

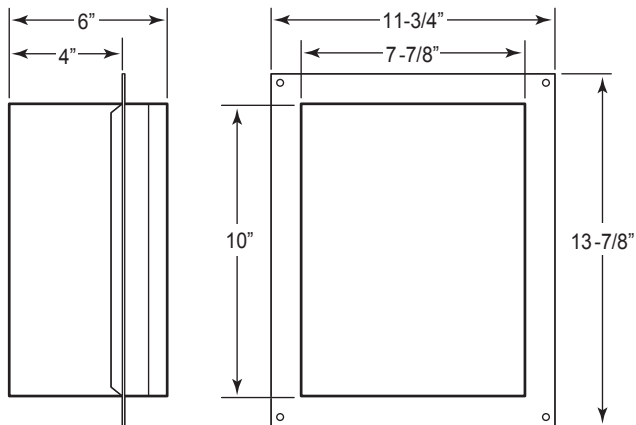


Mounting

Refer to Installation Instructions for specific mounting structure guidelines, wiring and wall control installation details.

Wall Control

– Required, Priced Separately –



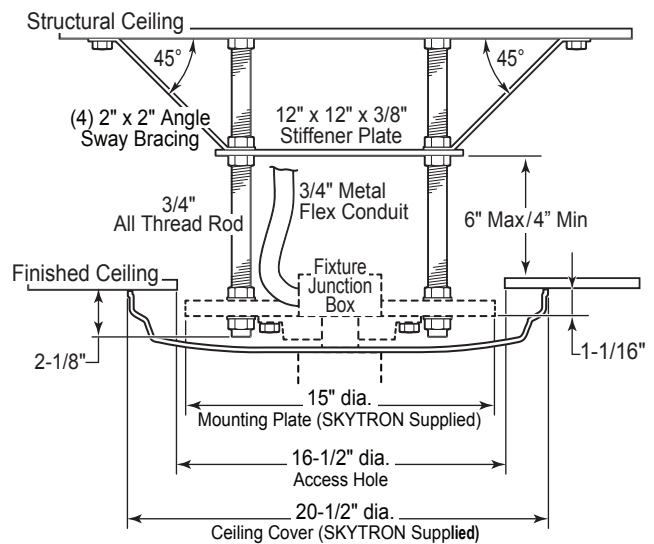
(Not to Scale)

SIDE VIEW

BACK VIEW

Typical Mounting Structure

– Provided by Others –



The base language for this document is ENGLISH. Any translations must be made from the base language.