



SS2121-MK  
SS2122-MK  
SS2123-MK

## STAINLESS STEEL • SURGICAL SCRUB SINKS



**SS2121-MK**  
with optional Infrared Control and  
Integrated Eye Wash

### APPLICATION

SKYTRON's Stainless Scrub Sinks provide convenience in pre-surgery scrubs. Preset water temperatures are dispensed automatically as required. Total hands free operation eliminates contact with both the sink and the controls.

### FEATURES

**Medical Grade Type 304 Stainless Steel** is used throughout assuring quality construction and durability.

**Gooseneck Spray Faucet** is provided with a wide angle "rosette" style spray nozzle.

**Deck Mounted Mixing Valve** assures proper temperature and flow control, is anti-scald type and limits temperature to  $112^{\circ}\text{F} \pm 2^{\circ}$ .

**Deep Sloped Sink Base** is designed to prevent excess splash of soiled water and to facilitate drainage.

**Large 1-1/2" Drain System** assures fast efficient drainage to help prevent the possibility of bacterial growth.

**Heavy 14 Gauge Sink Bowl and 18 Gauge Panels** provide durability. All sink bowl exteriors are fully undercoated to provide sound deadening and to prevent condensation.

**Available In Three Models** Model SS2121-MK - Single Bay; Model SS2122-MK - Double Bay; Model SS2123-MK - Triple Bay.

### OPTIONS

**Pedestal Base** for floor mount installation

**Blending Valve** to supply "tepid water" for eye wash application.

**Thermostatic Mixing Valves** for each bay to supply independent water temperature control.

**10" Deep Backshelf** provides convenient storage of supply items.

**Sink Carriers** for single, double or triple station sink

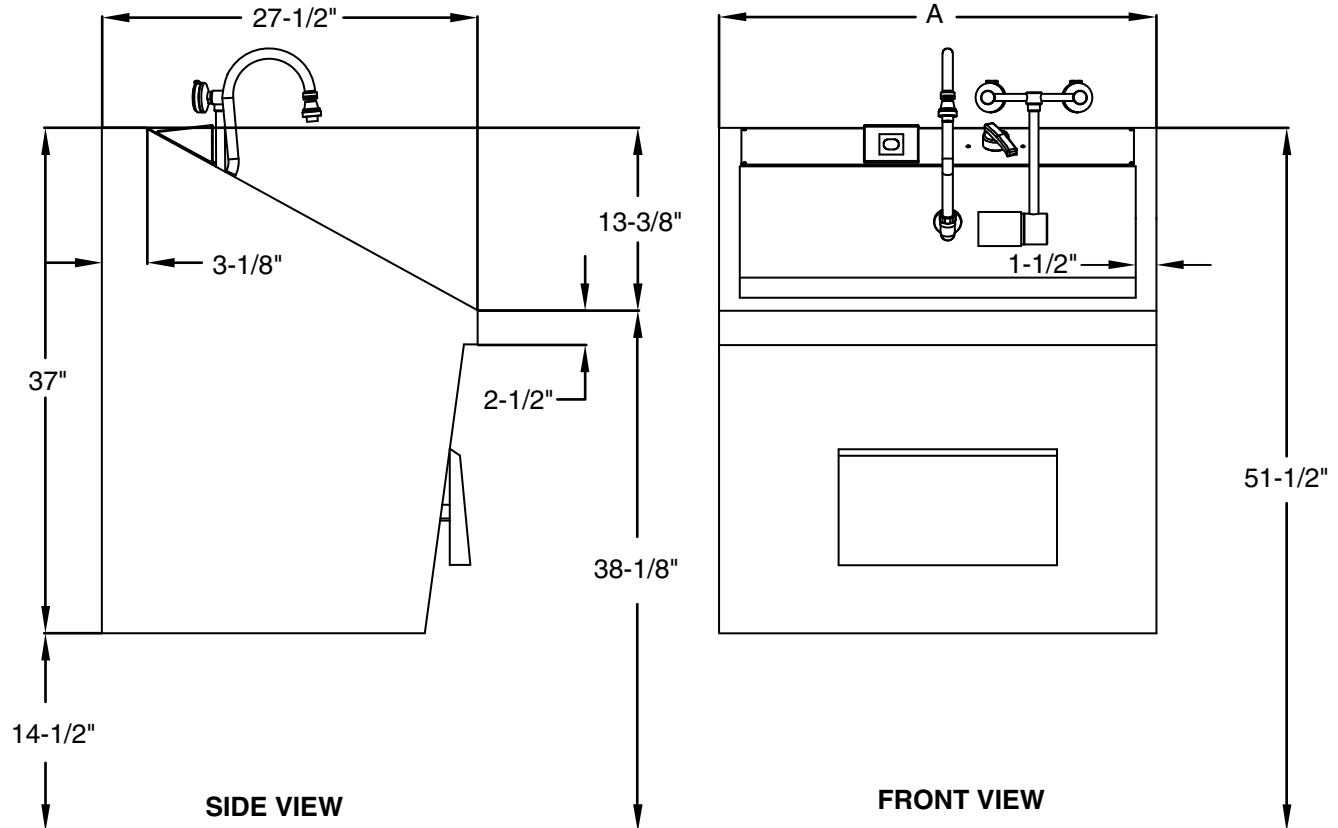
**Infrared Electronic Eye Activated Water Flow System** with automatic shut-off permits efficient scrub time while reducing wasted water once operator retreats from sensor range. Requires 120V 15amp service.

**Integrated Eye Wash** adds an extra level of safety to staff. Meets ANSI Z2358.1-2004 and OSHA for emergency eye wash stations.

**Laminar Faucet Diffuser** to meet code requirements that limit water aeration.

# MK SCRUB SINK

"A" Dimension = 32" - Single Bay (SS2121-MK)  
64" - Double Bay (SS2122-MK)  
96" - Triple Bay (SS2123-MK)



## SPECIFICATIONS

### CONNECTIONS:

- 1/2" copper cold water - 20 to 50 PSIG.
- 1/2" copper hot water - 20 to 50 PSIG. (120 to 140 F)
- 1/2" copper tepid water (luke warm) - 20 to 50 PSIG. (for - EW option)
- 1-1/2" O.D. waste terminal tail piece.
- 120V 15amp circuit (for -IRM option)

### NOTES:

1. Weight: Model SS2121-MK - 210 lbs., Model SS2122-MK - 325 lbs., Model SS2123-MK - 410 lbs.
2. Sink carriers available if required, F1-010-48-M - single, F1-010-49-M - double, F1-010-50-M - triple
3. Refer to specific Seismic application drawings.



5085 Corporate Exchange Blvd. S.E.  
Grand Rapids, MI 49512 • 1.616.656.2900 • FAX 1.616.656.2906