

STELLAR SERIES • SURGICAL LIGHTS**Introduction**

Skytron's Stellar Series Surgical Lighting provides advanced fixed focus optics within exceptionally durable, lightweight polymer lighthouse heads, creating the perfect balance of performance, maneuverability and dependability. The Vertical Segmented Reflector optics provide shadow controlled illumination and a generous field size. Typical applications include ambulatory surgical center (ASC) operating rooms (ORs), labor & delivery, exam treatment and emergency departments.

Technical Data

Electrical: 120V, 60 Hz, 1 phase

Power Consumption: 150 watts (510 BTU/hr)

Amperage: Approximately 1.75 amps, fuse protected.

Intensity: 96,800 lux (9,000 fc)

Color Temperature: 4,000K

Beam Temperature: Less than 25,000 microwatts per cm² as recommended by the I.E.S. handbook.

Current Leakage: Less than 30 microamps

Bulb Type: Halogen 24V/50W.

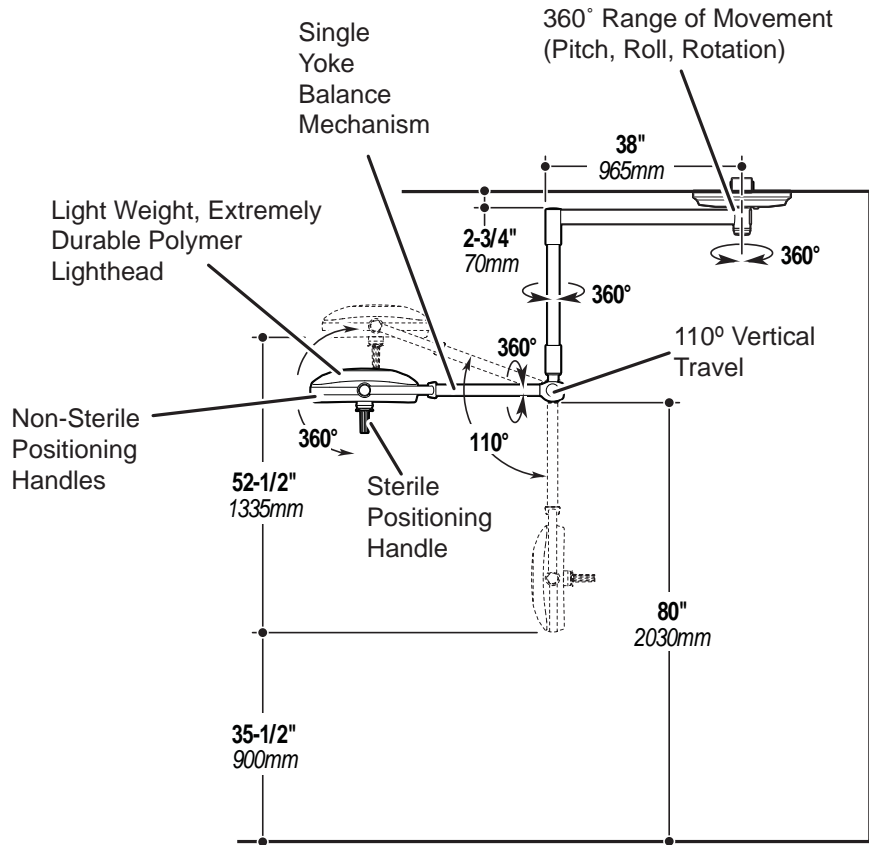
Fixture Weight: 72 lbs.

Moment Load: 246 ft. lbs.

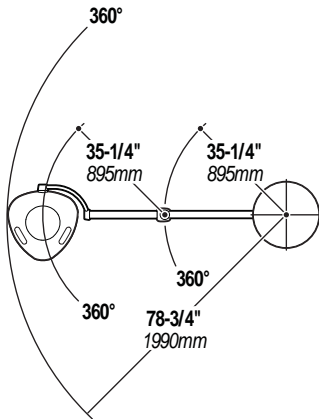
Architectural Specification

The surgical lighting system shall consist of a 19" lighthouse head mounted on a radial arm. The lighthouse head is to be equipped with a sterilizable center positioning handle and two non-sterile positioning handles. The total system output is to be 96,800 lux (9,000 foot-candles) at a color temperature of 4000K. The system is to be designed with three halogen bulbs to operate at 18.5V to 20.5V, 50W. Bulb life is protected by SKYTRON's Sof-Start System. The intensity control mounted on the lighthouse head provides adjustment and ON/OFF control. The system shall be SKYTRON Model ST19.

Elevation View

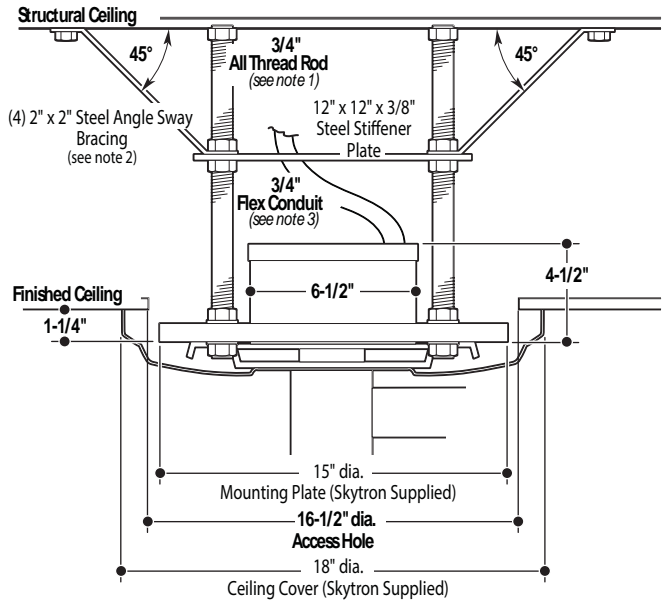


Plan View



Mounting

Refer to the installation instructions for specific mounting structure guidelines, wiring and wall control installation details.



The base language for this document is ENGLISH. Any translations must be made from the base language.