



5085 Corporate Exchange Blvd. S.E.
Grand Rapids, MI 49512 • 616.656.2900

VCALFSAUA5

AURORA FOUR SERIES SURGICAL LIGHTS

Skytron's Aurora Four surgical lighting system provides complete surgeon control of positioning, focus, and intensity from the sterilizable center handle. Energy efficient LEDs provide cool, color corrected light that is diffused evenly over the surgical site for optimum shadow reduction. The VCA Camerahead includes a sterilizable positioning handle and a sterilizable camera cover to allow the surgeon positioning and focus control. LFS Flat Screen support arm systems are designed to provide both optimum viewing flexibility when required and facility of storage when not in use.

Accessories / Options

Wall Control provides controls for main power, intensity control from 0 to 100% in 5 steps for each lighthead, color temperature selection of 4100°K or 4500°K, safety fuses and LED 40,000 hour change indicator. Required, priced separately.

Precision HD Camera System provides dynamic, superb 1080i and 1080p digital quality video. The camera system consists of a Precision HD handle mounted camera, camera control unit (CCU), and video cabling. Camera system priced separately. Video Camera Arm (VCA) required.

Sterile Handles and various adapters are available for sterilizable handles and sterile disposable covers.

Technical Data

Fixture Weight: 449 lbs (204 kg)
Moment Load: 1347 ft lbs (1827 N·m)
Minimum Ceiling Height: 9' 4-1/2" (2858mm)
Maximum Ceiling Height: 10' 9-1/2" (3289mm)
Electrical: 100-240VAC, 95-175VA, 50/60 Hz, 1 phase
Max Intensity at 1 meter (lux): @4100K = 160,000
@4500K = 140,500
CRI: @4100K = 95 @4500K = 96
Color Temperature: @4100K @4500K
Total Irradiance (watts/m²): @4100K = 532.3
@4500K = 475.9
R9: @4100K = 91 @4500K = 95



Model LFSLFSUA5 Shown

Standards

ANSI/AAMI ES60601-1: 2005 / C1: 2009 / A2: 2010
CAN/CSA-C22.2 No. 60601.1: 2008 COR 2 2011
IEC 60601-2-41 (2nd Ed. 2009-08)
IEC 60601-1-6 (3rd Ed. 2010-01)
IEC 60601-1-2 (3rd Ed. 2007-03)
CE

Architectural Specification

The Aurora Four surgical lighting system consists of a ceiling mounted radial arm system with a Camerahead, Flat Screen monitor mount and a 24" (610mm) diameter lighthead. The Camerahead mount provides 270° of rotation. Flat Screen monitor mount arms provide 340° rotation at the ceiling mount with adjustable stops. Monitor mounts provide 540° of rotation, 150° of tilt and will accommodate up to a 20 pound (9 kg) flat screen monitor. Continuous 360° rotation is provided at all fixture rotation points.

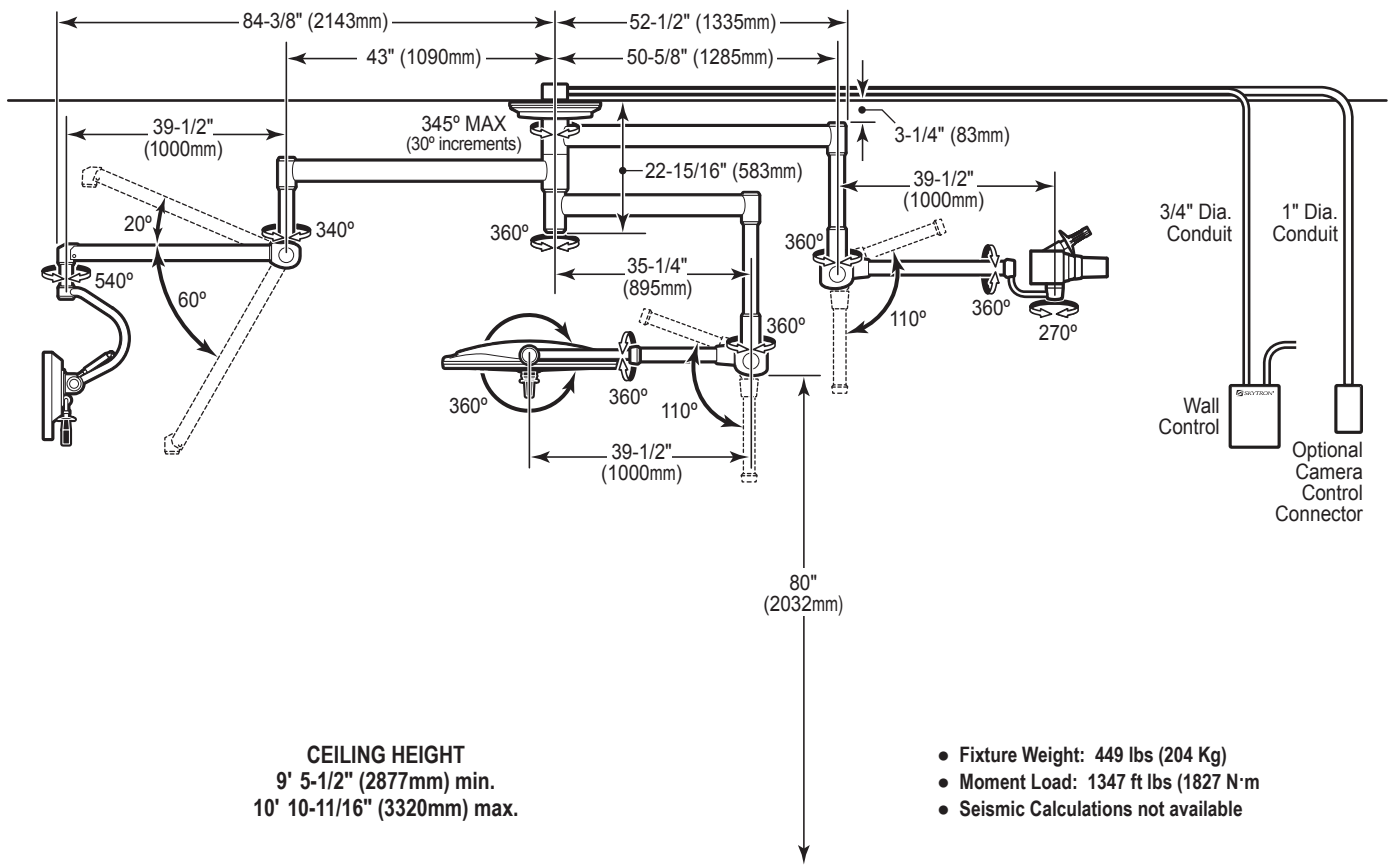
Standard lighthead is equipped with a sterilizable center handle that allows surgeon control of lighthead positioning, focus and intensity. A focus knob and positioning handles are provided on the side of the lighthead for non-sterile control.

The 24" (610mm) lighthead contains 5 focusable LED pods. Each focusable pod contains 7 individual LEDs with VSRD reflector technology. Each lighthead also contains 12 fixed focus center mounted LEDs. Total system output is 160,000 lux at a color temperature of 4,100K. LED life expectancy is 40,000 hours.

SKYTRON Aurora Four series, model VCALFSAUA5. Flat screen monitors provided separately.

Product Elevation View

VCALFSAUA5

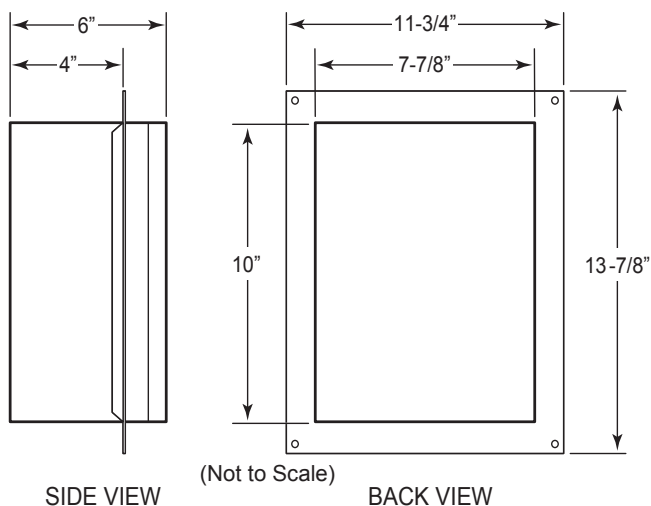


Mounting

Refer to Installation Instructions for specific mounting structure guidelines, wiring and wall control installation details.

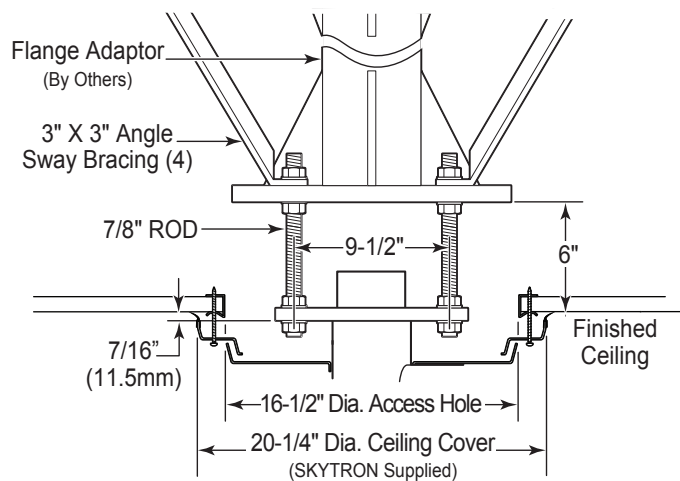
Wall Control

– Required, Priced Separately –



Typical Mounting Structure

– Provided by Others –



The base language for this document is ENGLISH. Any translations must be made from the base language.